

PALM CITY IRONWORKS

MILANO SERIES AWNING WINDOWS (IMPACT) (HVHZ)



PALM CITY IRONWORKS
3160 KUTAK RD.
FORT MYERS, FL 33916

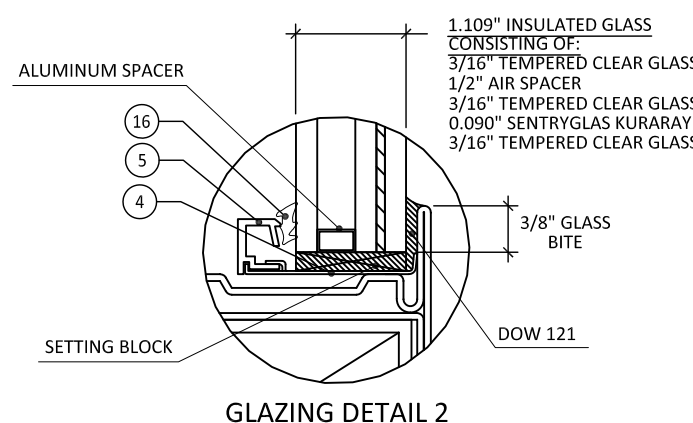
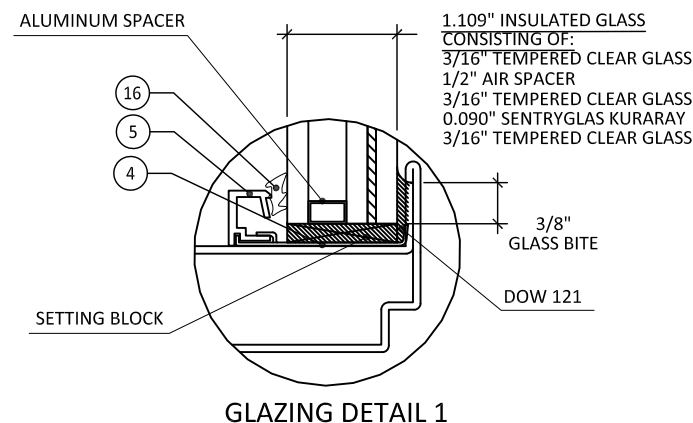
PH: (239) 691-8400 FX: (239)277-0061

GENERAL NOTES:

- THE PRODUCT SHOWN HEREIN IS DESIGNED AND MANUFACTURED TO COMPLY WITH THE CURRENT EDITION FLORIDA BUILDING CODE (FBC), INCLUDING HVHZ AND HAS BEEN EVALUATED ACCORDING TO THE FOLLOWING:
 - TAS 201-94
 - TAS 202-94
 - TAS 203-94
 - ASTM E330-02
 - ASTM E283-04
 - ASTM E331-00
 - ASTM E1886-13a
 - ASTM E1996-14a
- ADEQUACY OF THE EXISTING STRUCTURAL CONCRETE/MASONRY, 2X WOOD & STEEL FRAMING AS A MAIN WIND FORCE RESISTING SYSTEM CAPABLE OF WITHSTANDING AND TRANSFERRING APPLIED PRODUCT LOADS TO THE FOUNDATION IS THE RESPONSIBILITY OF THE ENGINEER OR ARCHITECT OF RECORD FOR THE PROJECT OF INSTALLATION.
- 1X AND 2X BUCKS (WHEN USED) SHALL BE DESIGNED AND ANCHORED TO PROPERLY TRANSFER ALL LOADS TO THE STRUCTURE. BUCK DESIGN AND INSTALLATION IS THE RESPONSIBILITY OF THE ENGINEER OR ARCHITECT OF RECORD FOR THE PROJECT OF INSTALLATION.
- THE INSTALLATION DETAILS DESCRIBED HEREIN ARE GENERIC AND MAY NOT REFLECT ACTUAL CONDITIONS FOR A SPECIFIC SITE. IF SITE CONDITIONS CAUSE INSTALLATION TO DEVIATE FROM THE REQUIREMENTS DETAILED HEREIN, A LICENSED ENGINEER OR ARCHITECT SHALL PREPARE SITE SPECIFIC DOCUMENTS FOR USE WITH THIS DOCUMENT. FOR NON-HVHZ AREA, INSTALLATION TO BE REVIEWED BY AHJ (AUTHORITY HAVING JURISDICTION).
- DEVIATION FROM THIS FLORIDA PRODUCT APPROVAL IN HVHZ AREA REQUIRES A ONE TIME APPROVAL FROM MIAMI-DADE COUNTY RER OR AHJ.
- APPROVED IMPACT PROTECTIVE SYSTEM **IS NOT REQUIRED** ON THIS PRODUCT IN AREAS REQUIRING IMPACT RESISTANCE.
- AWNING WINDOW MATERIAL: Q235B STEEL
- GLASS MEETS THE REQUIREMENTS OF ASTM E 1300 GLASS CHARTS. SEE SHEET 1 FOR GLAZING DETAILS.
- DISSIMILAR METALS INCLUDING FASTENERS THAT MAY COME INTO CONTACT WITH ALUMINUM COMPONENTS SHALL BE PROTECTED IN ACCORDANCE WITH THE CURRENT FBC REQUIREMENTS CHAPTER 20.
- CUSTOM SIZES AVAILABLE UPON REQUEST.

TABLE OF CONTENTS		
SHEET	REVISION	SHEET DESCRIPTION
1	-	GENERAL NOTES & GLAZING DETAIL
2	-	ELEVATION & ANCHOR LAYOUT
3	-	ELEVATION
4	-	ANCHOR LAYOUT
5	-	VERTICAL SECTIONS
6	-	HORIZONTAL SECTIONS
7	-	HORIZONTAL SECTIONS
8	-	INSTALLATION DETAIL & NOTES
9	-	BILL OF MATERIALS & COMPONENTS

DESIGN PRESSURE RATING			
MAX. OVERALL FRAME SIZE		DESIGN PRESSURE	MISSILE IMPACT RATING
WIDTH	HEIGHT		
60.00"	36.00"	+80.0/-80.0 PSF	SMI/LMI
108.00"	96.00"		



- GLAZING NOTES:**
- GLASS TYPE AND THICKNESS SHALL COMPLY WITH ASTM E1300 REQUIREMENTS AS WELL AS APPLICABLE SAFETY GLAZING REQUIREMENTS PER THE FBC. THICKNESS, TEMPER, AND SAFETY GLAZING REQUIREMENTS SHALL BE REVIEWED ON A SITE SPECIFIC BASIS.
 - SETTING BLOCK DUROMETER HARDNESS OF 70-90 (SHORE A) AS REFERENCED IN FBC CHAPTER 24.
 - SETTING BLOCKS TO BE LOCATED AT 1/4 SPAN LENGTH FOR GLASS WIDER THAN 36" AS PER FBC CHAPTER 24.
 - D.L.O. AND DESIGN PRESSURES MAY NOT EXCEED MAX VALUES SHOWN HEREIN.

TITLE: MILANO SERIES AWNING WINDOWS (IMPACT) (HVHZ)

GENERAL NOTES

PREPARED BY: BUILDING DROPS, INC.
398 E. DANIA BEACH BLVD., STE. 338
DANIA BEACH, FL 33004
PH: (954)399-8478
FAX: (954)744-4738
WEB: www.buildingdrops.com

REMARKS	BY	DATE

THE INSTALLATION DETAILS DESCRIBED HEREIN ARE GENERIC AND MAY NOT REFLECT ACTUAL CONDITIONS FOR A SPECIFIC SITE. IF SITE CONDITIONS CAUSE INSTALLATION TO DEVIATE FROM THE REQUIREMENTS DETAILED HEREIN, A LICENSED ENGINEER OR ARCHITECT SHALL PREPARE SITE SPECIFIC DOCUMENTS FOR USE WITH THIS DOCUMENT

HERMES F. NORERO
FLORIDA P. E. NO. 73778
398 E. DANIA BEACH BLVD., STE. 338
DANIA BEACH, FL 33004
FBPE CERT. OF AUTHORIZATION NO. 29578

FL27075

DATE: 03.21.19

DWG. BY: JA CHK. BY: HFN

SCALE: NTS

DWG. #: PCI011

SHEET: 1 OF 9



PALM CITY IRONWORKS
3160 KUTAK RD.
FORT MYERS, FL 33916

PH: (239) 691-8400 FX: (239)277-0061

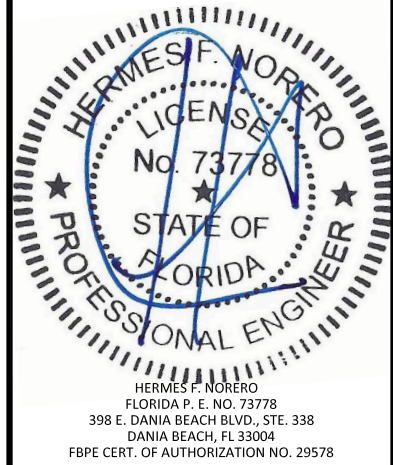
TITLE: MILANO SERIES
AWNING WINDOWS
(IMPACT) (HVHZ)
ELEVATION & ANCHOR LAYOUT

PREPARED BY:
BUILDING DROPS, INC.
398 E. DANIA BEACH BLVD., STE. 338
DANIA BEACH, FL 33004
PH: (954)399-8478
FAX: (954)744-4738
WEB: www.buildingdrops.com



REMARKS	BY	DATE

THE INSTALLATION DETAILS DESCRIBED HEREIN ARE GENERIC AND MAY NOT REFLECT ACTUAL CONDITIONS FOR A SPECIFIC SITE. IF SITE CONDITIONS CAUSE INSTALLATION TO DEVIATE FROM THE REQUIREMENTS DETAILED HEREIN, A LICENSED ENGINEER OR ARCHITECT SHALL PREPARE SITE SPECIFIC DOCUMENTS FOR USE WITH THIS DOCUMENT



HERMES F. NORERO
FLORIDA P. E. NO. 73778
398 E. DANIA BEACH BLVD., STE. 338
DANIA BEACH, FL 33004
FBPE CERT. OF AUTHORIZATION NO. 29578

FL27075

DATE: 03.21.19

DWG. BY: JA CHK. BY: HFN

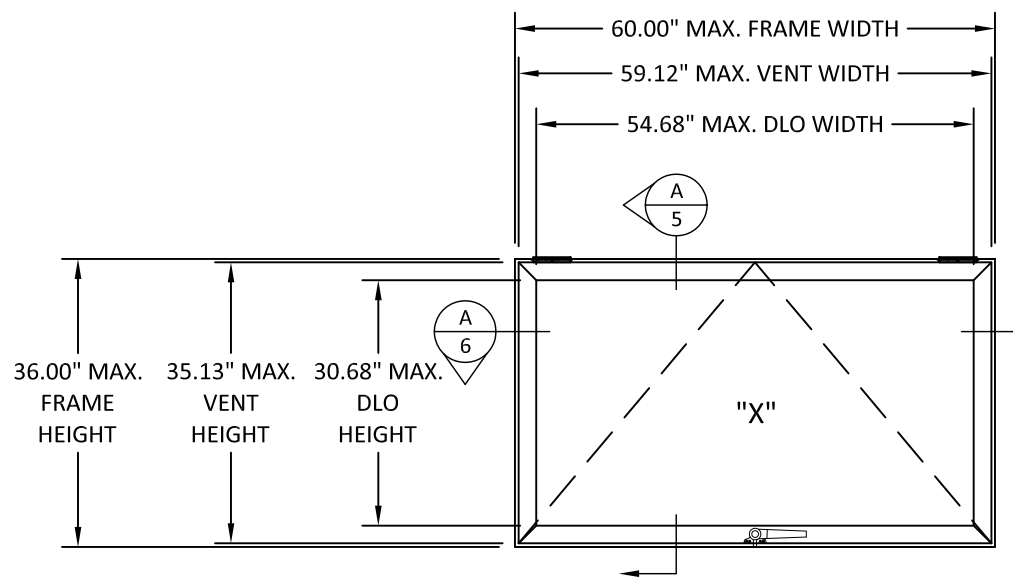
SCALE: NTS

DWG. #: PCI011

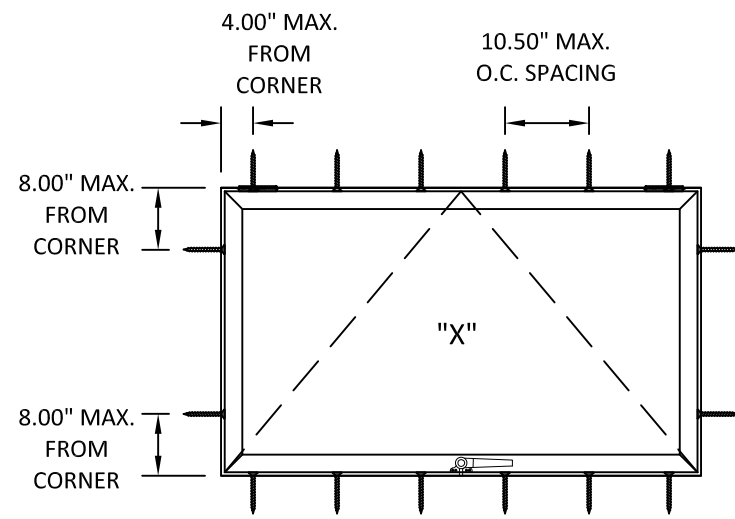
SHEET:

2

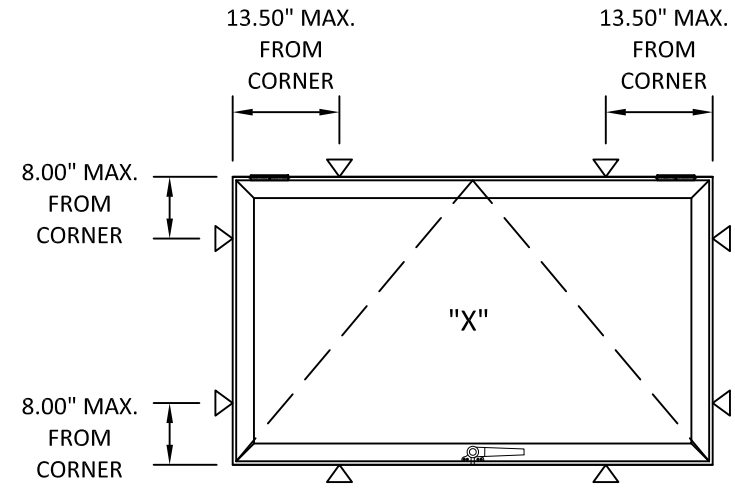
OF 9



ELEVATION
EXTERIOR VIEW

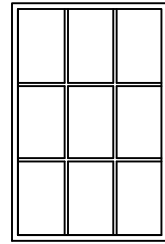


TYPICAL ANCHOR LAYOUT
THROUGH FRAME



TYPICAL ANCHOR LAYOUT
THROUGH BRACKET

- THROUGH BRACKET ANCHORS
- THROUGH FRAME ANCHORS



SIMULATED DIVIDED LITE
ALSO QUALIFIED

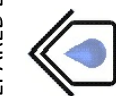
4/22/2019 4:49 PM s:\projects\palmcity\ironworks\inc\fb-19-0247-2-fb-submittal-fb-27075\dwgs\l1-27075-milano-series-awning-window\ped011.dwg



PALM CITY IRONWORKS
3160 KUTAK RD.
FORT MYERS, FL 33916

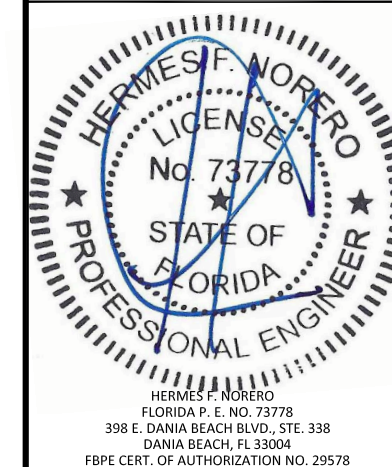
PH: (239) 691-8400 FX: (239)277-0061

TITLE: MILANO SERIES
AWNING WINDOWS
(IMPACT) (HVHZ)
ELEVATION & ANCHOR LAYOUT

PREPARED BY:

BUILDING DROPS, INC.
398 E. DANIA BEACH BLVD., STE. 338
DANIA BEACH, FL 33004
PH: (954)399-8478
FAX: (954)744-4738
WEB: www.buildingdrops.com

REMARKS	BY	DATE

THE INSTALLATION DETAILS DESCRIBED HEREIN ARE GENERIC AND MAY NOT REFLECT ACTUAL CONDITIONS FOR A SPECIFIC SITE. IF SITE CONDITIONS CAUSE INSTALLATION TO DEVIATE FROM THE REQUIREMENTS DETAILED HEREIN, A LICENSED ENGINEER OR ARCHITECT SHALL PREPARE SITE SPECIFIC DOCUMENTS FOR USE WITH THIS DOCUMENT



FL27075

DATE: 03.21.19

DWG. BY: JA

CHK. BY: HFN

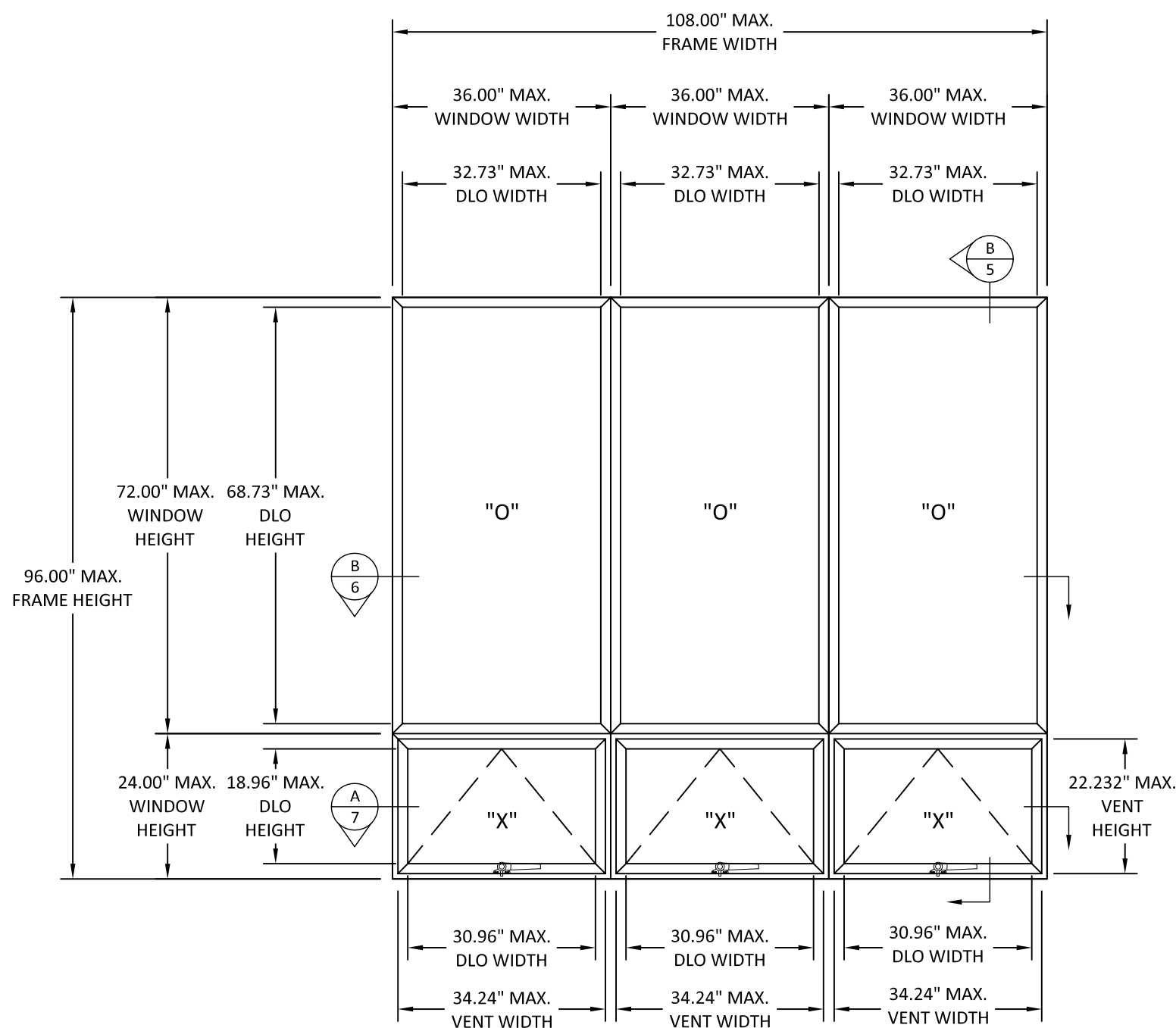
SCALE: NTS

DWG. #: PCI011

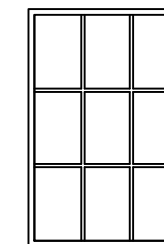
SHEET:

3

OF 9



ELEVATION
EXTERIOR VIEW



SIMULATED DIVIDED LITE
ALSO QUALIFIED

4/22/2019 4:49 PM
s:\projects\palmcity\ironworks\inc\fb-19-0247-2-fb-submittal-0116749-027075-027072-027073-027074-027075-dwgs\11-27075-milano-series-awning-window\ped011.dwg



PALM CITY IRONWORKS
3160 KUTAK RD.
FORT MYERS, FL 33916

PH: (239) 691-8400 FX: (239)277-0061

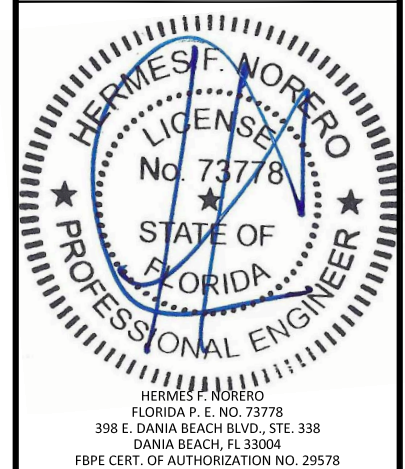
TITLE: MILANO SERIES
AWNING WINDOWS
(IMPACT) (HVHZ)
ELEVATION & ANCHOR LAYOUT

PREPARED BY:
BUILDING DROPS, INC.
398 E. DANIA BEACH BLVD., STE. 338
DANIA BEACH, FL 33004
PH: (954)399-8478
FAX: (954)744-4738
WEB: www.buildingdrops.com



REMARKS	BY	DATE

THE INSTALLATION DETAILS DESCRIBED HEREIN ARE GENERIC AND MAY NOT REFLECT ACTUAL CONDITIONS FOR A SPECIFIC SITE. IF SITE CONDITIONS CAUSE INSTALLATION TO DEVIATE FROM THE REQUIREMENTS DETAILED HEREIN, A LICENSED ENGINEER OR ARCHITECT SHALL PREPARE SITE SPECIFIC DOCUMENTS FOR USE WITH THIS DOCUMENT



FL27075

DATE: 03.21.19

DWG. BY: JA CHK. BY: HFN

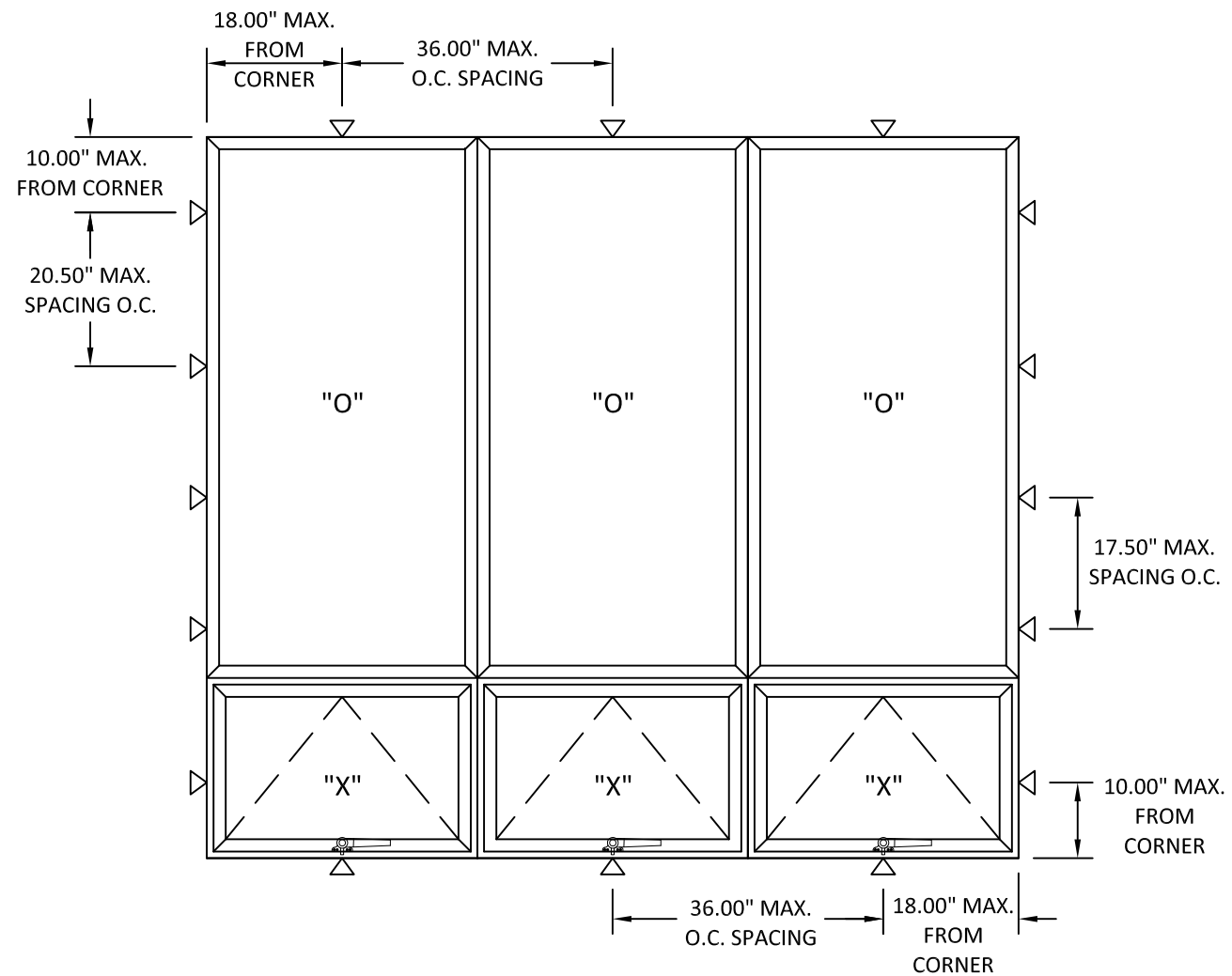
SCALE: NTS

DWG. #: PCI011

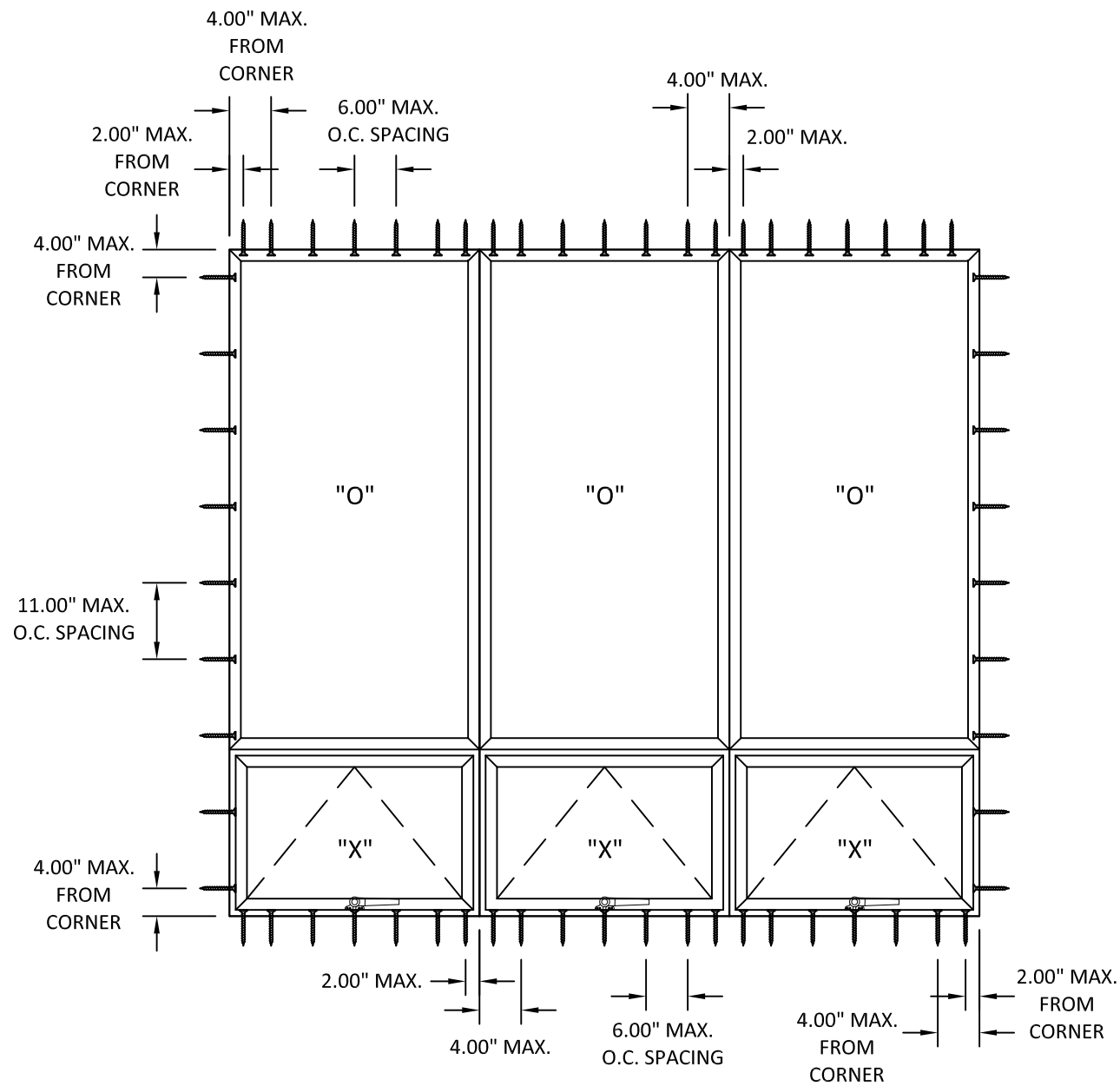
SHEET:

4


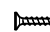
OF 9



TYPICAL ANCHOR LAYOUT
THROUGH BRACKET



TYPICAL ANCHOR LAYOUT
THROUGH FRAME

-  THROUGH BRACKET ANCHORS
-  THROUGH FRAME ANCHORS

s:\projects\palmcity\ironworks\inc\fb\19-0247-2-fb-submittal-01\27075\27075_milano_series_awning_window.ped011.dwg 4/22/2019 4:49 PM



PALM CITY IRONWORKS
3160 KUTAK RD.
FORT MYERS, FL 33916

PH: (239) 691-8400 FX: (239)277-0061

TITLE: MILANO SERIES
AWNING WINDOWS
(IMPACT) (HVHZ)
VERTICAL SECTIONS

PREPARED BY:

BUILDING DROPS, INC.
398 E. DANIA BEACH BLVD., STE. 338
DANIA BEACH, FL 33004
PH: (954)399-8478
FAX: (954)744-4738
WEB: www.buildingdrops.com

REMARKS	BY	DATE

THE INSTALLATION DETAILS DESCRIBED HEREIN ARE GENERIC AND MAY NOT REFLECT ACTUAL CONDITIONS FOR A SPECIFIC SITE. IF SITE CONDITIONS CAUSE INSTALLATION TO DEVIATE FROM THE REQUIREMENTS DETAILED HEREIN, A LICENSED ENGINEER OR ARCHITECT SHALL PREPARE SITE SPECIFIC DOCUMENTS FOR USE WITH THIS DOCUMENT



HERMES F. NORERO
FLORIDA P. E. NO. 73778
398 E. DANIA BEACH BLVD., STE. 338
DANIA BEACH, FL 33004
FBPE CERT. OF AUTHORIZATION NO. 29578

FL27075

DATE: 03.21.19

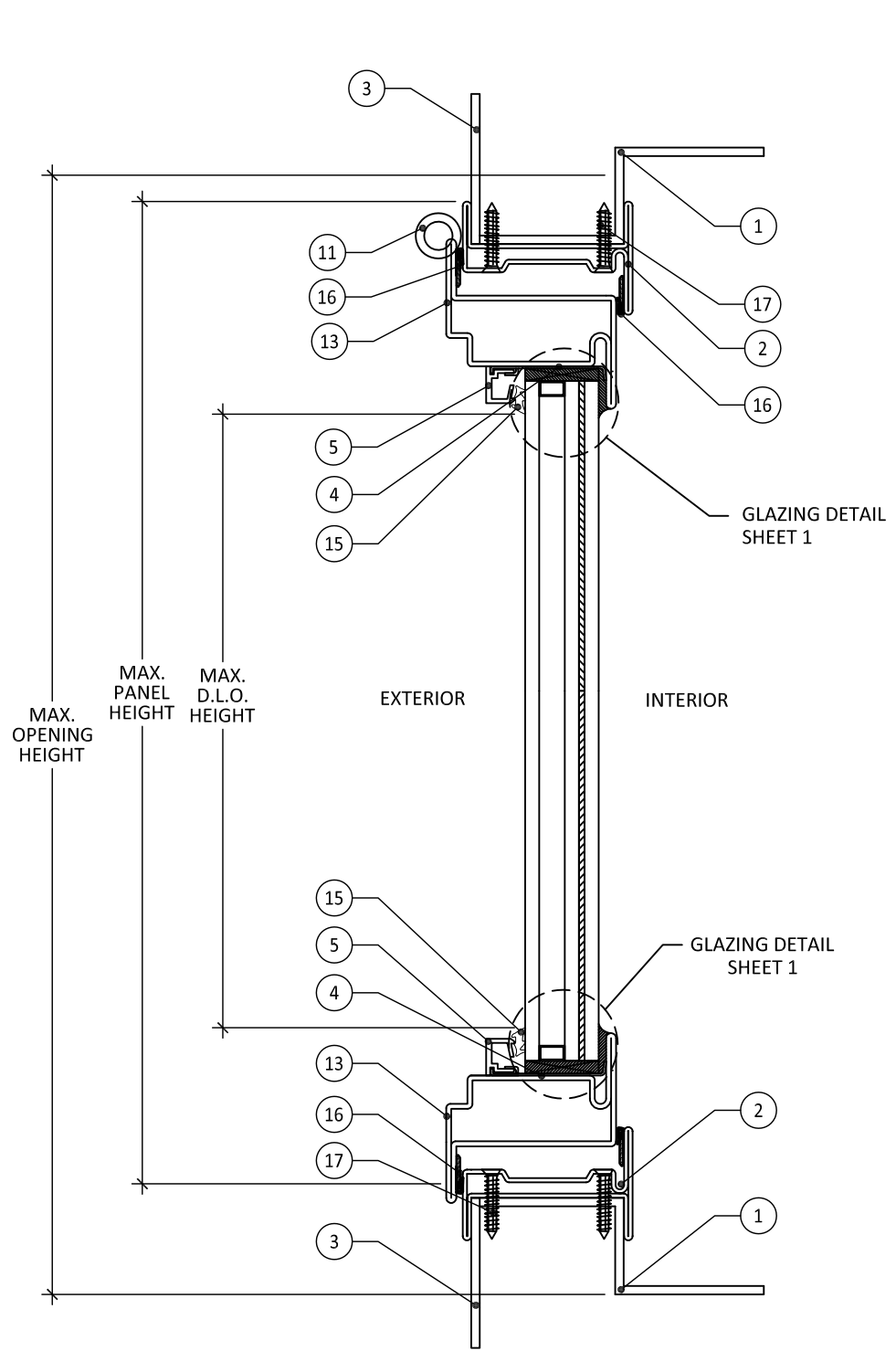
DWG. BY: JA CHK. BY: HFN

SCALE: NTS

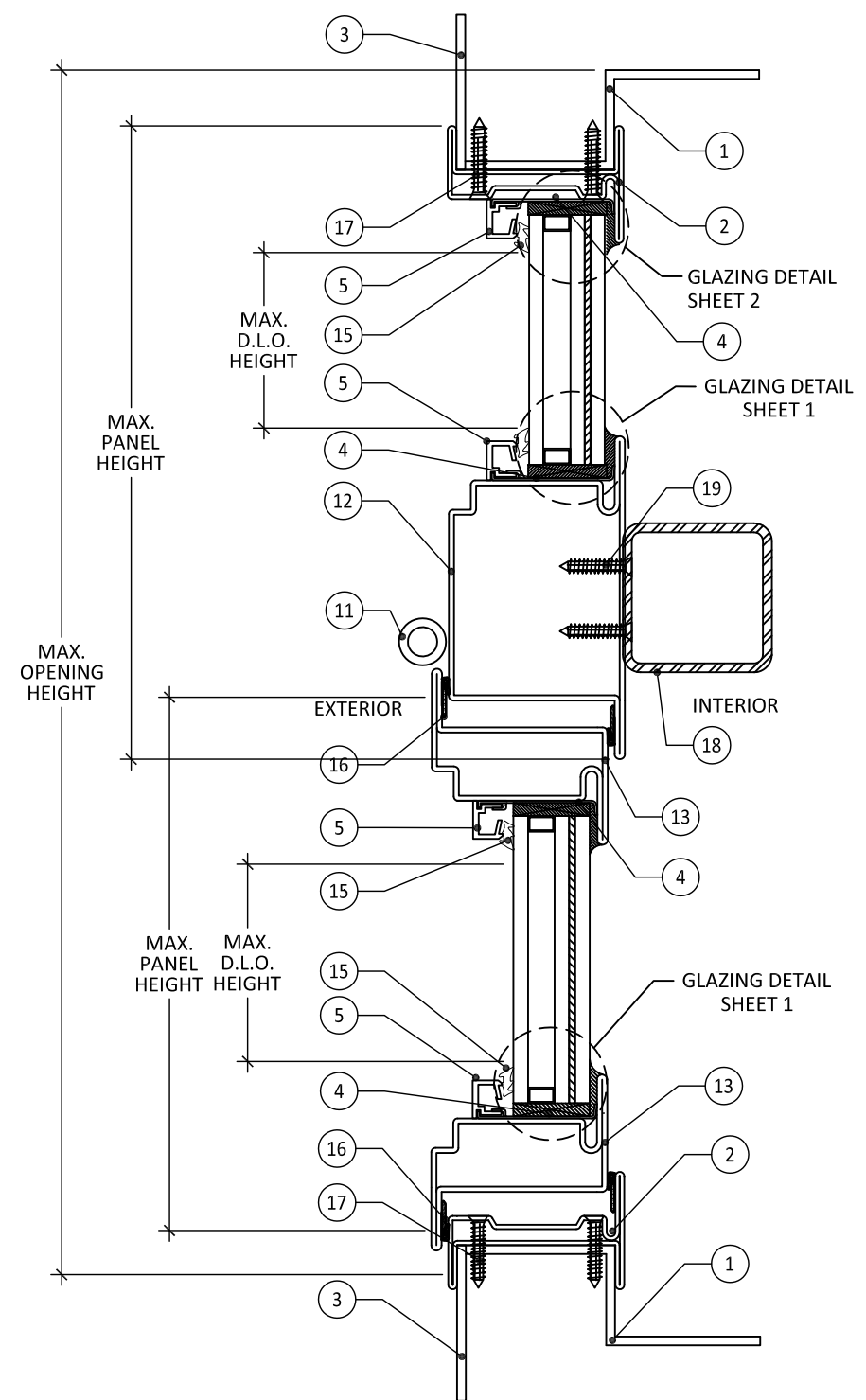
DWG. #: PCI011

SHEET: 5

OF 9



A
5 **VERTICAL SECTION**



B
5 **VERTICAL SECTION**

s:\projects\palmcity\ironworks\inc\fb-19-0247-2-fb-submittal-fb-27075\27075-milano-series-awning-window\pce011.dwg 4/22/2019 4:49 PM



PALM CITY IRONWORKS
3160 KUTAK RD.
FORT MYERS, FL 33916

PH: (239) 691-8400 FX: (239)277-0061

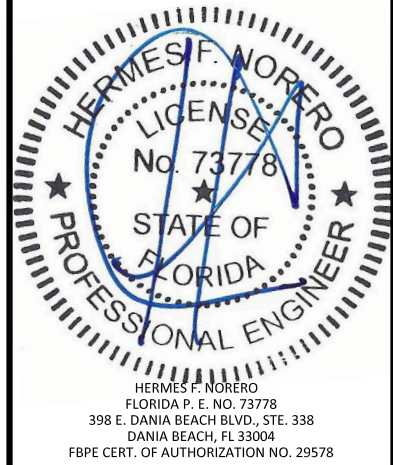
TITLE: MILANO SERIES
AWNING WINDOWS
(IMPACT) (HVHZ)
HORIZONTAL SECTIONS

PREPARED BY:
BUILDING DROPS, INC.
398 E. DANIA BEACH BLVD., STE. 338
DANIA BEACH, FL 33004
PH: (954)399-8478
FAX: (954)744-4738
WEB: www.buildingdrops.com



REMARKS	BY	DATE

THE INSTALLATION DETAILS DESCRIBED HEREIN ARE GENERIC AND MAY NOT REFLECT ACTUAL CONDITIONS FOR A SPECIFIC SITE. IF SITE CONDITIONS CAUSE INSTALLATION TO DEVIATE FROM THE REQUIREMENTS DETAILED HEREIN, A LICENSED ENGINEER OR ARCHITECT SHALL PREPARE SITE SPECIFIC DOCUMENTS FOR USE WITH THIS DOCUMENT



FL27075

DATE: 03.21.19

DWG. BY: JA CHK. BY: HFN

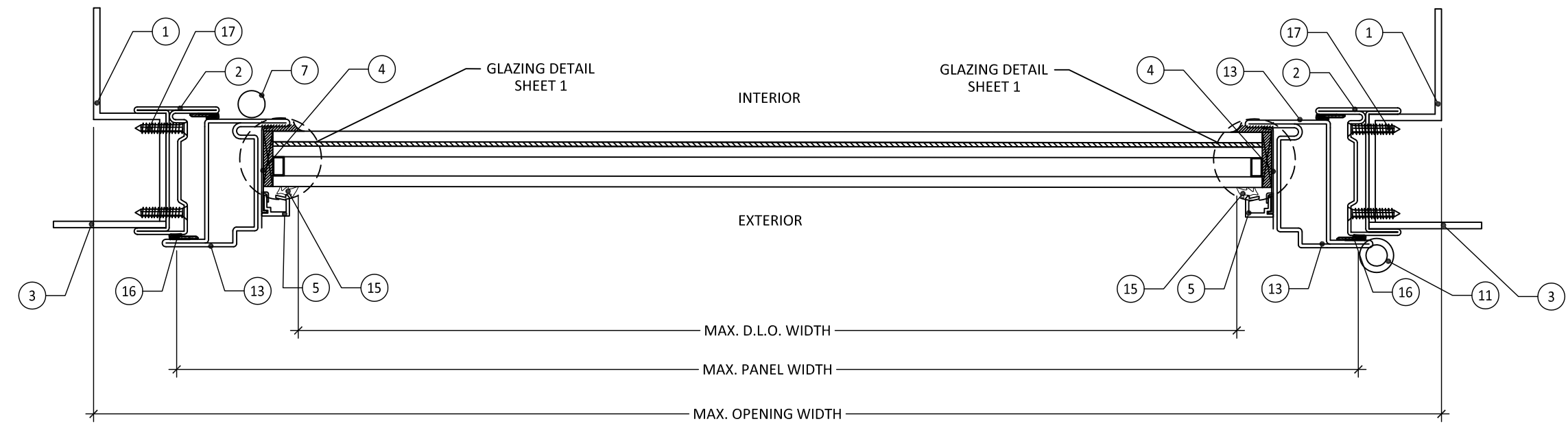
SCALE: NTS

DWG. #: PCI011

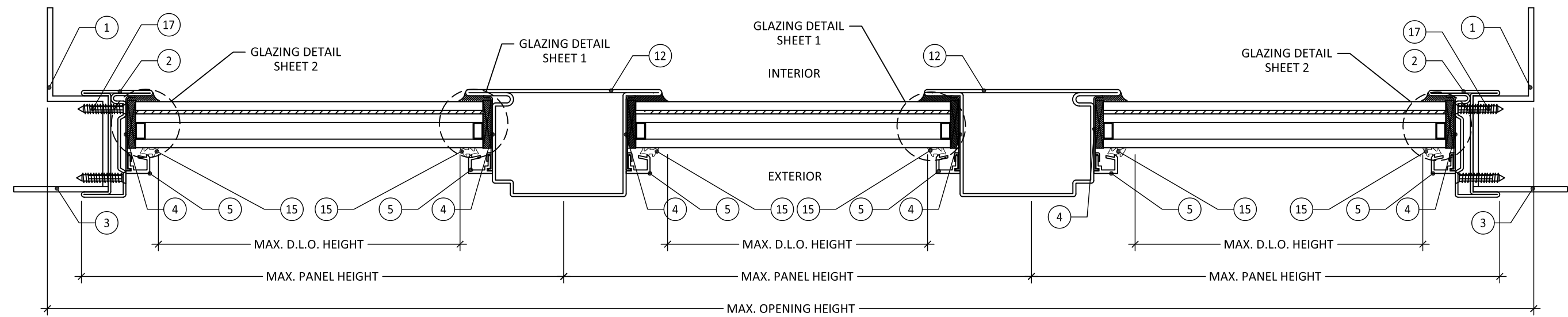
SHEET:

6

OF 9



A HORIZONTAL SECTION
6



B HORIZONTAL SECTION
6

s:\projects\palmcity\ironworks\inc\fb\19-0247-2-fb-submittal-fil16749-fil27075.dwg 02/20/19 4:49 PM



PALM CITY IRONWORKS
3160 KUTAK RD.
FORT MYERS, FL 33916

PH: (239) 691-8400 FX: (239)277-0061

TITLE: MILANO SERIES
AWNING WINDOWS
(IMPACT) (HVHZ)
HORIZONTAL SECTIONS

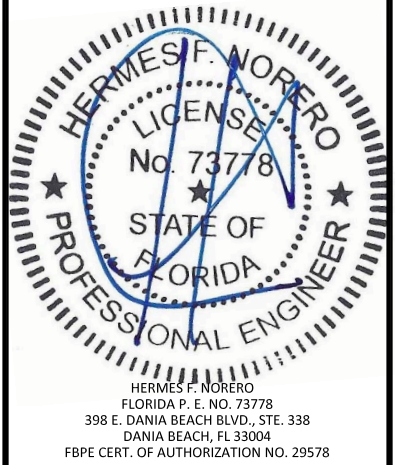
PREPARED BY:
BUILDING DROPS, INC.

398 E. DANIA BEACH BLVD., STE. 338
DANIA BEACH, FL 33004
PH: (954)399-8478
FAX: (954)744-4738
WEB: www.buildingdrops.com



REMARKS	BY	DATE

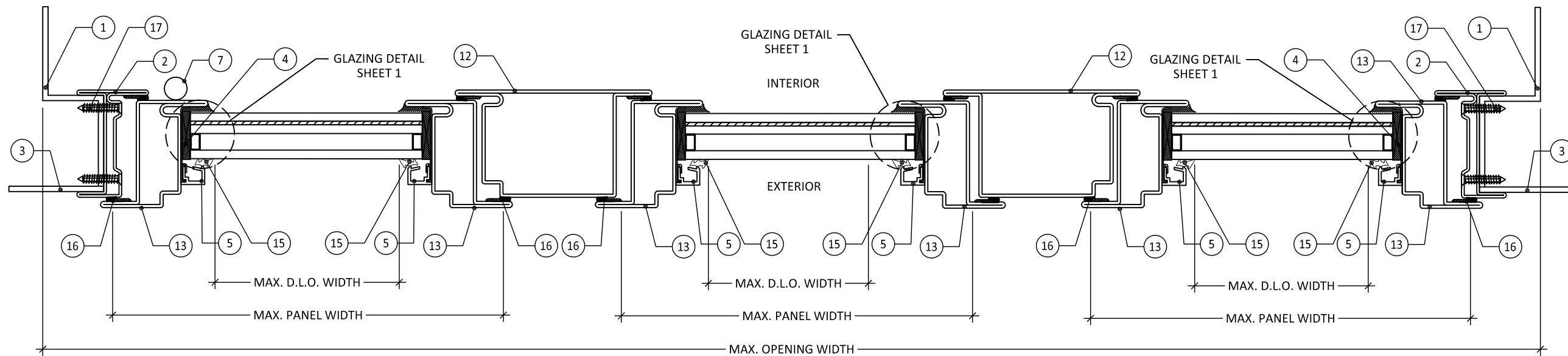
THE INSTALLATION DETAILS DESCRIBED HEREIN ARE GENERIC AND MAY NOT REFLECT ACTUAL CONDITIONS FOR A SPECIFIC SITE. IF SITE CONDITIONS CAUSE INSTALLATION TO DEVIATE FROM THE REQUIREMENTS DETAILED HEREIN, A LICENSED ENGINEER OR ARCHITECT SHALL PREPARE SITE SPECIFIC DOCUMENTS FOR USE WITH THIS DOCUMENT



HERMES F. NORERO
FLORIDA P. E. NO. 73778
398 E. DANIA BEACH BLVD., STE. 338
DANIA BEACH, FL 33004
FBPE CERT. OF AUTHORIZATION NO. 29578

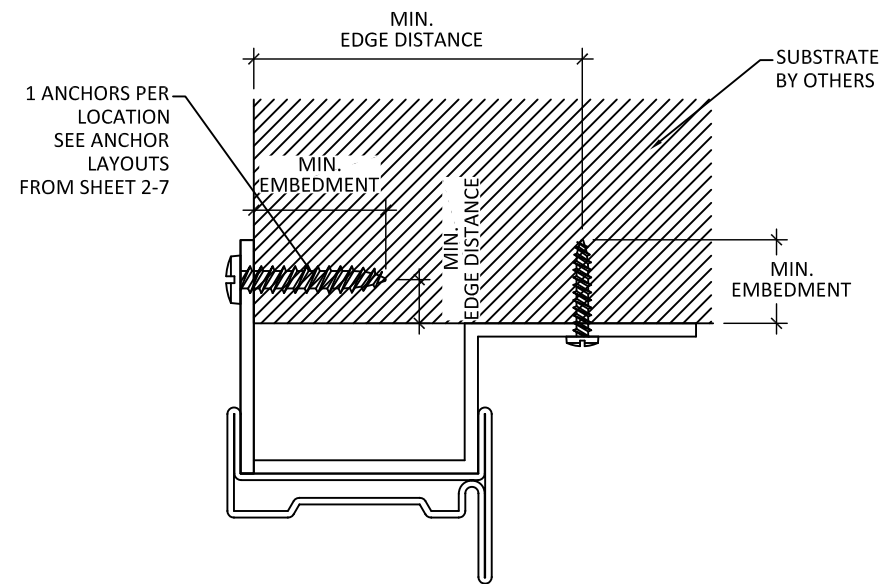
FL27075

DATE:	03.21.19
DWG. BY:	JA
CHK. BY:	HFN
SCALE:	NTS
DWG. #:	PCI011
SHEET:	7

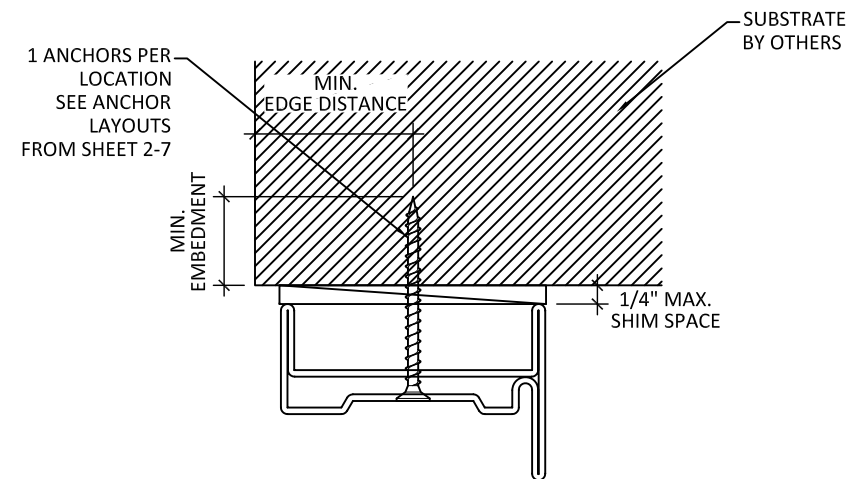


A 7 HORIZONTAL SECTION

s:\projects\palmcity\ironworks,inc\fb-19-0247-2-fb-submittal-fl16749-fl27075-fl27075.dwg 4/22/2019 4:49 PM



A
7 **ANCHOR INSTALLATION**
THROUGH BRACKET
HEAD, SILL AND JAMB



B
7 **ANCHOR INSTALLATION**
THROUGH FRAME
HEAD, SILL AND JAMB

ANCHOR SCHEDULE				
METHOD	SUBSTRATE	ANCHOR SCHEDULE	MIN EMBEDMENT	MIN. EDGE DISTANCE
THROUGH METAL BRACKET (HEAD/JAMB)	WOOD: MIN. SG = 0.55	#10 WOOD SCREW	1.50"	0.75"
THROUGH METAL BRACKET (HEAD/JAMB)	STEEL: MIN. 18 GAUGE, MIN. FY = 36 KSI	#10 TEK SCREW	3 THREADS OF ENGAGEMENT	0.50"
THROUGH FRAME (HEAD/JAMB)	WOOD: MIN. SG = 0.55	#14 WOOD SCREW	1.50"	1.00"
THROUGH FRAME (HEAD/JAMB)	STEEL: MIN. 18 GAUGE, MIN. FY = 36 KSI	1/4" TEK SCREW	3 THREADS OF ENGAGEMENT	0.75"
THROUGH FRAME (HEAD/JAMB)	3000 PSI CONCRETE	1/4" ITW TAPCON	1.75"	1.25"
THROUGH FRAME (HEAD/JAMB)	MASONRY: CMU PER ASTM C90, MIN. 2000 PSI	1/4" ITW TAPCON	1.75"	1.25"
THROUGH FRAME (SILL)	WOOD: MIN. SG = 0.55	#12 WOOD SCREW	1.50"	0.75"
THROUGH FRAME (SILL)	STEEL: MIN. 18 GAUGE, MIN. FY = 36 KSI	#12 TEK SCREW	3 THREADS OF ENGAGEMENT	0.75"
THROUGH FRAME (SILL)	3000 PSI CONCRETE	1/4" ITW TAPCON	1.75"	1.25"
THROUGH FRAME (SILL)	MASONRY: CMU PER ASTM C90, MIN. 2000 PSI	1/4" ITW TAPCON	1.75"	1.25"

INSTALLATION NOTES:

- ONE (1) INSTALLATION ANCHOR IS REQUIRED AT EACH ANCHOR LOCATION SHOWN UNLESS OTHERWISE SPECIFIED.
- INSTALLATION ANCHOR FROM HINGE THROUGH FRAME INTO SUBSTRATE WITH APPROPRIATE EMBEDMENT, EDGE DISTANCE AND ANCHOR TYPE. REFER TO ANCHOR SCHEDULE ON THIS SHEET.
- THE NUMBER OF INSTALLATION ANCHORS DEPICTED IS THE MINIMUM NUMBER OF ANCHORS TO BE USED FOR PRODUCT INSTALLATION OF THE MAXIMUM SIZE LISTED.
- FOR MASONRY OR CONCRETE OPENINGS A 1X WOOD BUCK MAY BE USED (OPTIONAL) AS LONG AS THE MINIMUM EMBEDMENT AND EDGE DISTANCE REQUIREMENTS ARE STILL MET WITHIN THE CORRESPONDING HOST SUBSTRATE. SEE GENERAL NOTE #3 ON SHEET 1 FOR MORE INFORMATION.
- INSTALL INDIVIDUAL INSTALLATION ANCHORS WITHIN A TOLERANCE OF $\pm 1/2$ INCH THE DEPICTED LOCATION & SPACING IN THE ANCHOR LAYOUT DETAILS (I.E., WITHOUT CONSIDERATION OF TOLERANCES). TOLERANCES ARE NOT CUMULATIVE FROM ONE INSTALLATION ANCHOR TO THE NEXT.
- SHIM AS REQUIRED AT EACH INSTALLATION ANCHOR WITH LOAD BEARING SHIM(S). MAXIMUM ALLOWABLE SHIM STACK TO BE 1/4 INCH. SHIM WHERE SPACE OF 1/16 INCH OR GREATER OCCURS. SHIM(S) SHALL BE CONSTRUCTED OF HIGH DENSITY, HIGH IMPACT, NON-METALIC, NON COMPRESSIBLE, NATURALLY DURABLE & PRESERVATIVE TREATED MATERIALS.
- MINIMUM EMBEDMENT AND EDGE DISTANCE EXCLUDE WALL FINISHES, INCLUDING BUT NOT LIMITED TO STUCCO, FOAM, BRICK VENEER, AND SIDING.
- INSTALLATION ANCHORS AND ASSOCIATED HARDWARE MUST BE MADE OF CORROSION RESISTANT MATERIAL OR HAVE A CORROSION RESISTANT COATING.
- FOR HOLLOW BLOCK AND GROUT FILLED BLOCK, DO NOT INSTALL INSTALLATION ANCHORS INTO MORTAR JOINTS. EDGE DISTANCE IS MEASURED FROM FREE EDGE OF BLOCK OR EDGE OF MORTAR JOINT INTO FACE SHELL OF BLOCK.
- INSTALLATION ANCHORS SHALL BE INSTALLED IN ACCORDANCE WITH ANCHOR MANUFACTURER'S INSTALLATION INSTRUCTIONS, AND ANCHORS SHALL NOT BE USED IN SUBSTRATES WITH STRENGTHS LESS THAN THE MINIMUM STRENGTH SPECIFIED BY THE ANCHOR MANUFACTURER.



PALM CITY IRONWORKS
3160 KUTAK RD.
FORT MYERS, FL 33916

PH: (239) 691-8400 FX: (239) 277-0061

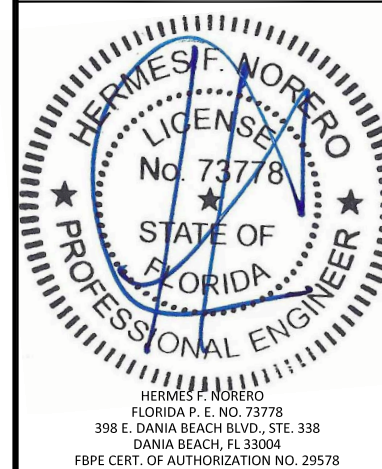
TITLE: MILANO SERIES
AWNING WINDOWS
(IMPACT) (HVHZ)
INSTALLATION DETAIL & NOTES

PREPARED BY:
BUILDING DROPS, INC.
398 E. DANIA BEACH BLVD., STE. 338
DANIA BEACH, FL 33004
PH: (954) 399-8478
FAX: (954) 744-4738
WEB: www.buildingdrops.com



REMARKS	BY	DATE

THE INSTALLATION DETAILS DESCRIBED HEREIN ARE GENERIC AND MAY NOT REFLECT ACTUAL CONDITIONS FOR A SPECIFIC SITE. IF SITE CONDITIONS CAUSE INSTALLATION TO DEVIATE FROM THE REQUIREMENTS DETAILED HEREIN, A LICENSED ENGINEER OR ARCHITECT SHALL PREPARE SITE SPECIFIC DOCUMENTS FOR USE WITH THIS DOCUMENT



FL27075

DATE: **03.21.19**

DWG. BY: **JA** CHK. BY: **HFN**

SCALE: **NTS**

DWG. #: **PCI011**

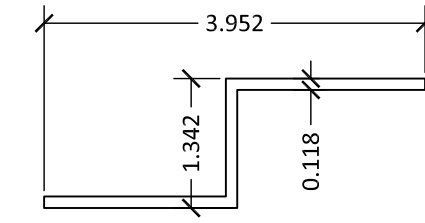
SHEET:

8

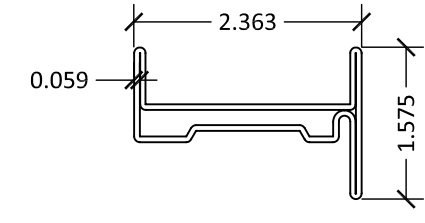
OF 9

BILL OF MATERIALS

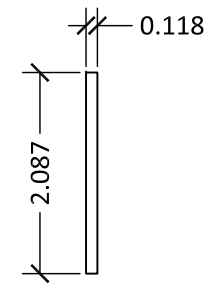
ITEM	PART No.	DESCRIPTION	MATERIAL	MANUFACTURER
1	-	BRACKET	Q235B STEEL	XIAMEN JINZHIXING INDUSTRIAL CO., LTD
2	605.610Z	FRAME JAMB	Q235B STEEL + FIBER INSULATION	JANSEN AG
3	-	FIN	Q235B STEEL	XIAMEN JINZHIXING INDUSTRIAL CO., LTD
4	CP43	CLIP FOR GLAZING BEAD	ALUMINUM 160 MPA MIN. TENSILE STRENGTH	MONTANSTAHL AG
5	CTF13	GLAZING BEAD	ALUMINUM 160 MPA MIN. TENSILE STRENGTH	FUJIAN MINFA ALUMINUM INC.
6	-	-	-	-
7	CX36220	SURFACE BOLT	Q235B STEEL	XIAMEN JINZHIXING INDUSTRIAL CO., LTD
-	-	-	-	-
9	601.615 Z	DOUBLE DOOR STILE	Q235B STEEL + FIBER INSULATION	JANSEN AG
10	-	-	-	-
11	PJ013	Ø 0.7" X 4.7" HINGE	Q235B STEEL	XIAMEN JINZHIXING INDUSTRIAL CO., LTD
12	30.117	MULLION	Q235B STEEL + FIBER INSULATION	JANSEN AG
13	30.418Z	DOOR STILE	Q235B STEEL + FIBER INSULATION	JANSEN AG
14	B195N09F	STRAIGHT CLASSIC HANDLE	-	STEEL WINDOW FITTINGS
15	900.012	FRONT GASKET	EPDM RUBBERS	MONTANSTAHL AG
16	455.047	WEATHER STRIP	EPDM RUBBERS	JANSEN AG
17	LS267	#10 x1" SMS @ 32" O.C.	Q235B STEEL	XIAMEN JINZHIXING INDUSTRIAL CO., LTD
18	-	2" X 2" X 1/8" TUBE	Q235B STEEL	-
19	-	5/16" x 3/4" SMS @ 32" O.C.	Q235B STEEL	XIAMEN JINZHIXING INDUSTRIAL CO., LTD



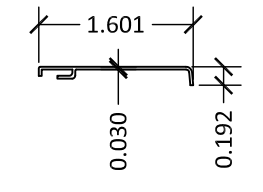
① BRACKET



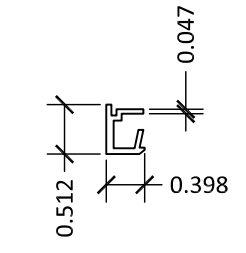
② FRAME JAMB



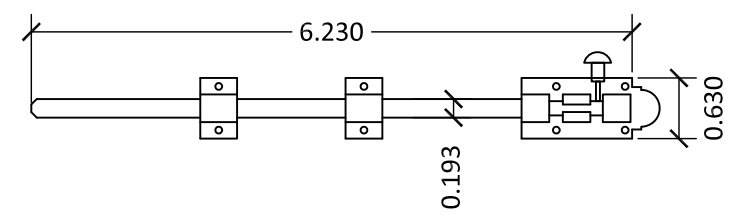
③ FIN



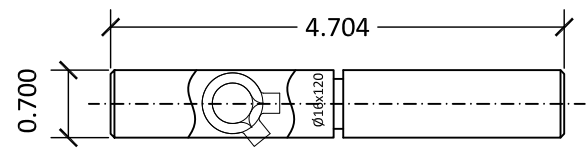
④ CLIP FOR GLAZING BEAD



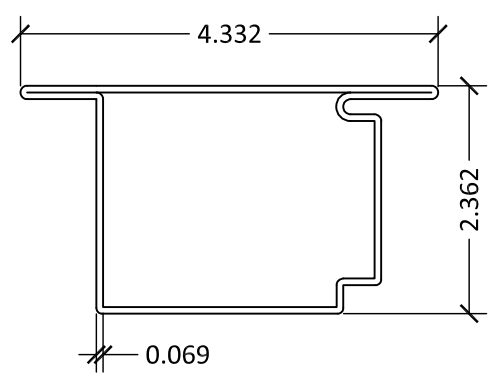
⑤ GLAZING BEAD



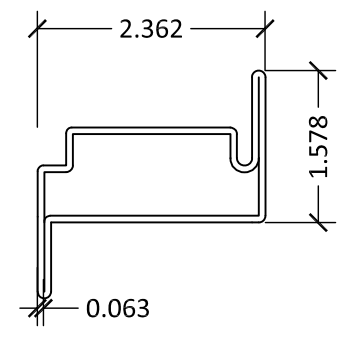
⑦ SURFACE BOLT



⑪ Ø 0.7" X 4.7" HINGE



⑫ MULLION



⑬ DOOR STILE



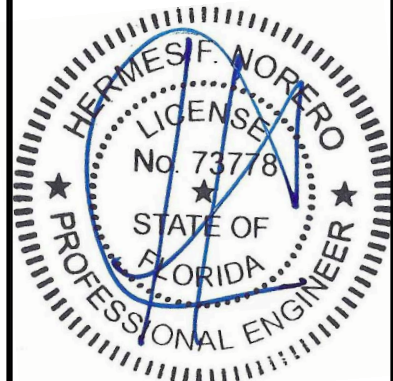
⑭ STRAIGHT CLASSIC HANDLE


Palm City IRONWORKS
 PALM CITY IRONWORKS
 3160 KUTAK RD.
 FORT MYERS, FL 33916
 PH: (239) 691-8400 FX: (239) 277-0061

TITLE: MILANO SERIES AWNING WINDOWS (IMPACT) (HVHZ) BILL OF MATERIALS & COMPONENTS
 PREPARED BY: BUILDING DROPS, INC.
 398 E. DANIA BEACH BLVD., STE. 338
 DANIA BEACH, FL 33004
 PH: (954) 399-8478
 FAX: (954) 744-4738
 WEB: www.buildingdrops.com

REMARKS	BY	DATE

THE INSTALLATION DETAILS DESCRIBED HEREIN ARE GENERIC AND MAY NOT REFLECT ACTUAL CONDITIONS FOR A SPECIFIC SITE. IF SITE CONDITIONS CAUSE INSTALLATION TO DEVIATE FROM THE REQUIREMENTS DETAILED HEREIN, A LICENSED ENGINEER OR ARCHITECT SHALL PREPARE SITE SPECIFIC DOCUMENTS FOR USE WITH THIS DOCUMENT


 HERMES F. NORERO
 FLORIDA P. E. NO. 73778
 398 E. DANIA BEACH BLVD., STE. 338
 DANIA BEACH, FL 33004
 FBPE CERT. OF AUTHORIZATION NO. 29578

FL27075
 DATE: 03.21.19
 DWG. BY: JA CHK. BY: HFN
 SCALE: NTS
 DWG. #: PCI011
 SHEET: 9 OF 9